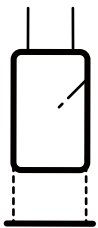
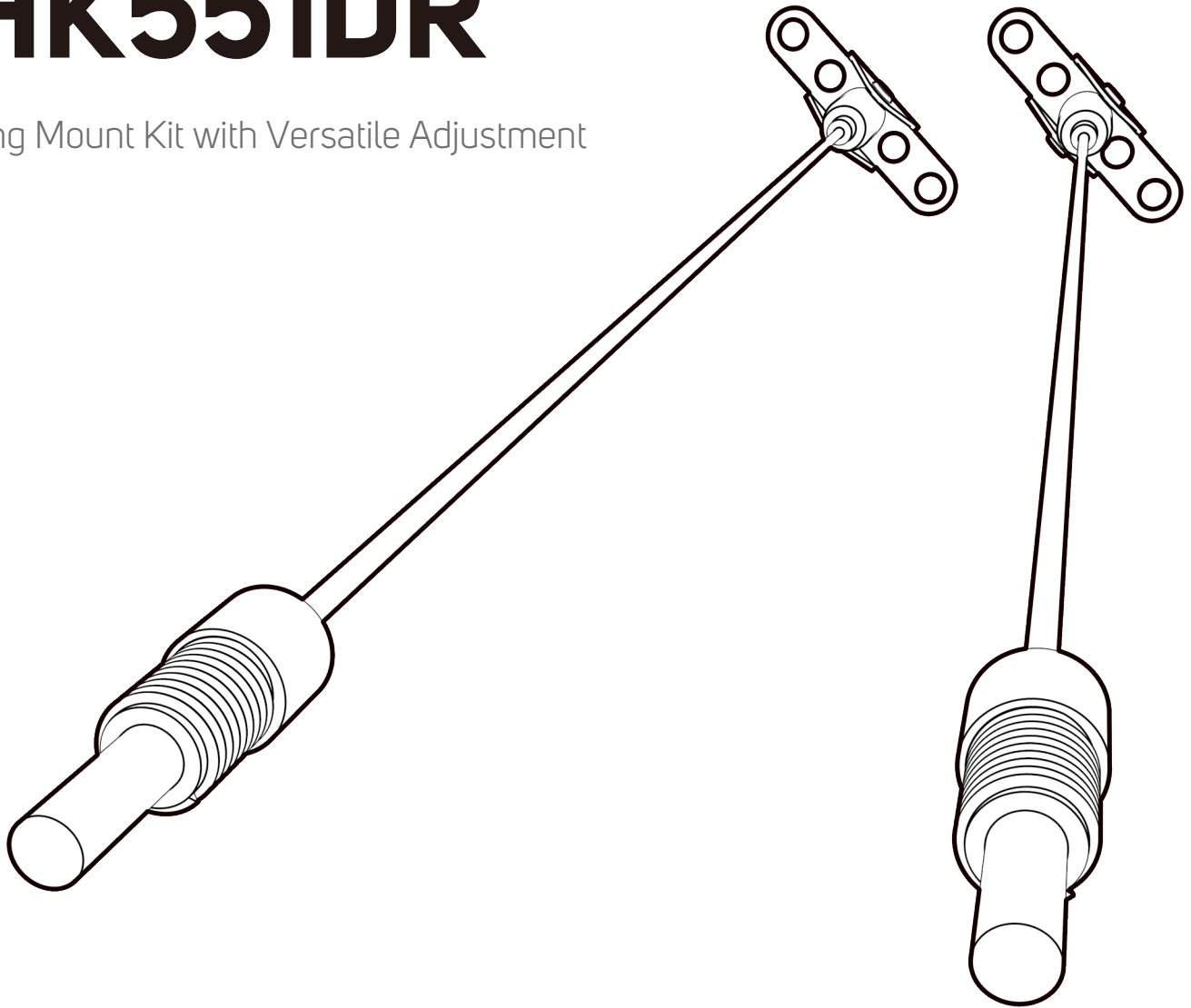


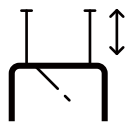
## ACCESSORIES

# IHK551DR

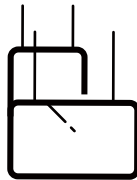
Ceiling Mount Kit with Versatile Adjustment



ZERO  
FOOTPRINT



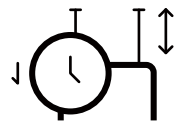
ADJUSTABLE  
LENGTH



PORTRAIT / LANDSCAPE  
COMPATIBLE



TOTAL 200 KG  
CAPACITY



QUICK HEIGHT  
ADJUSTMENT

### FOR MORE INFORMATION

For more information about DynaScan, visit our website at [www.dynascandisplay.com](http://www.dynascandisplay.com). Copyright © DynaScan Technology Inc. All rights reserved. All specifications and descriptions are subject to change without notice. Reproduction without permission is prohibited.

# DynaScan

# SPECIFICATION

## MODEL

IHK551DR

## MECHANICAL SPECS

Length of Wire	3000 mm
Diameter of Wire	2 mm
Load Capacity	total 200 kg
Weight	850 g

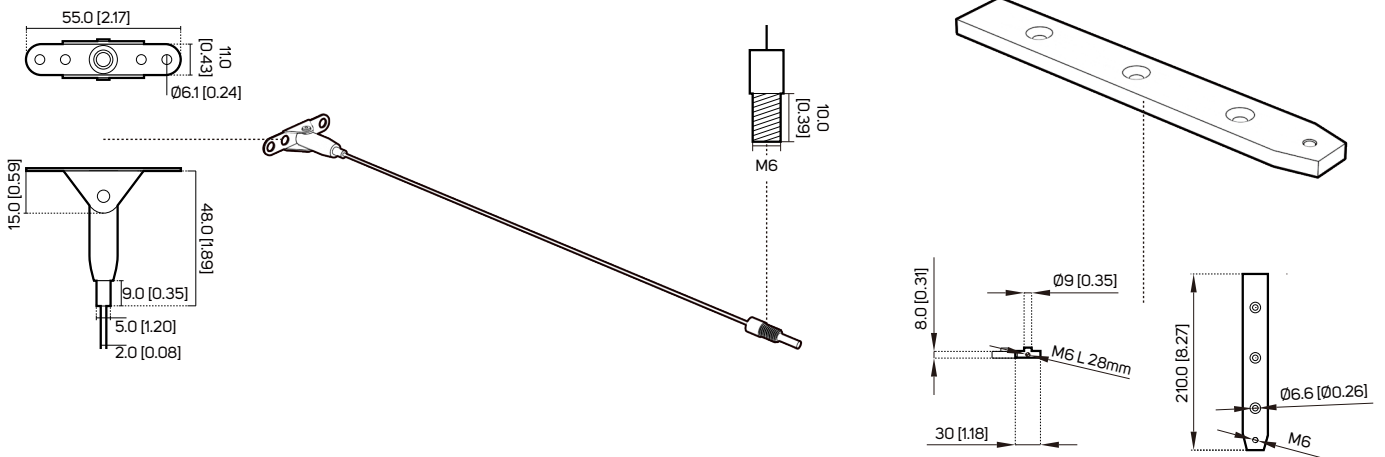
## PARTS

High Tensile Steel Wire	1 set
Connecting Kits	1 set
M6 x 20mm	6 pcs
3/16" x 38mm Screw (for Wood)	8 pcs

## APPLICABLE MODEL

DW551DR4

# DIMENSIONS



Unit: mm [inch]

# ASSEMBLY SIMULATION

