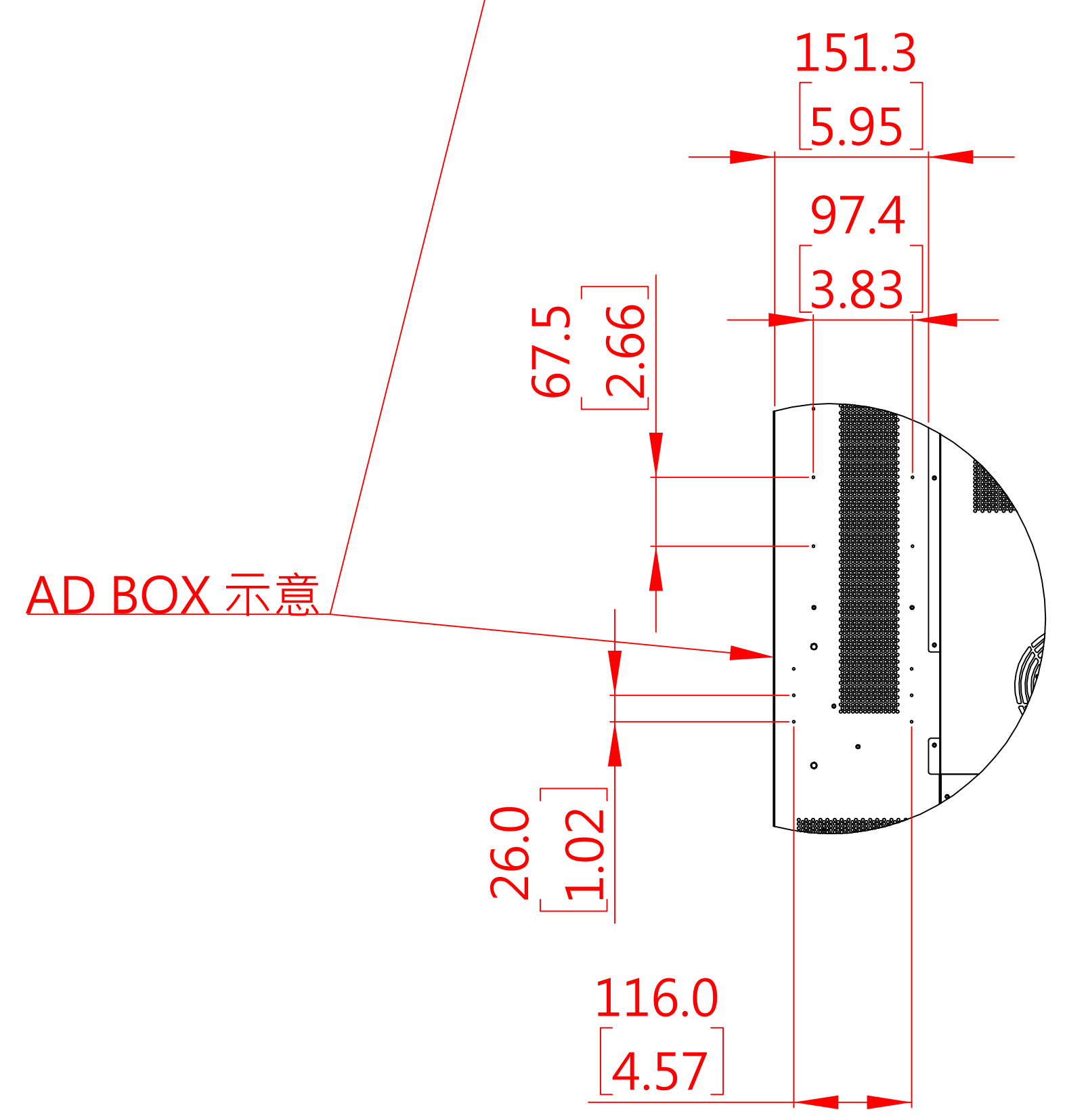
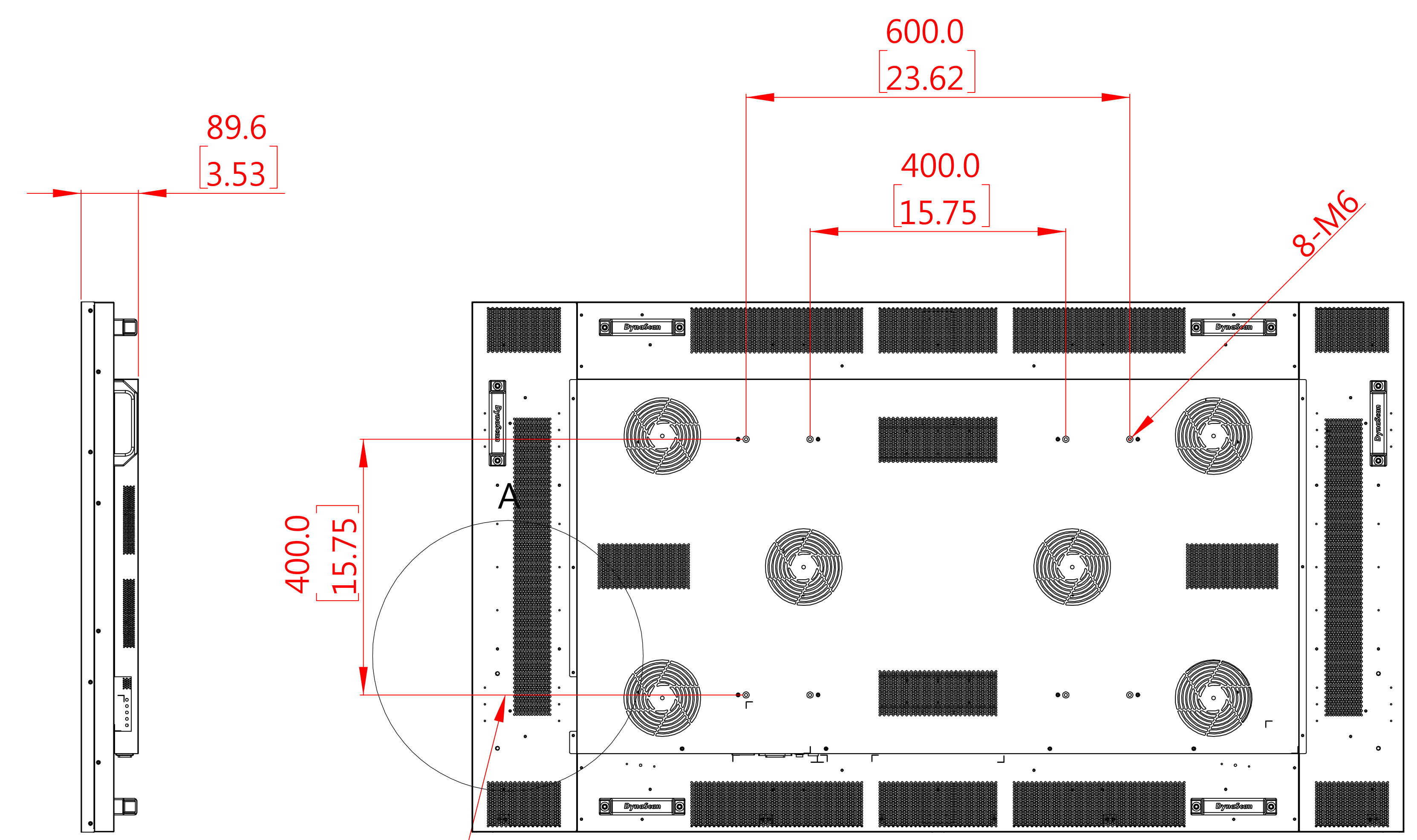
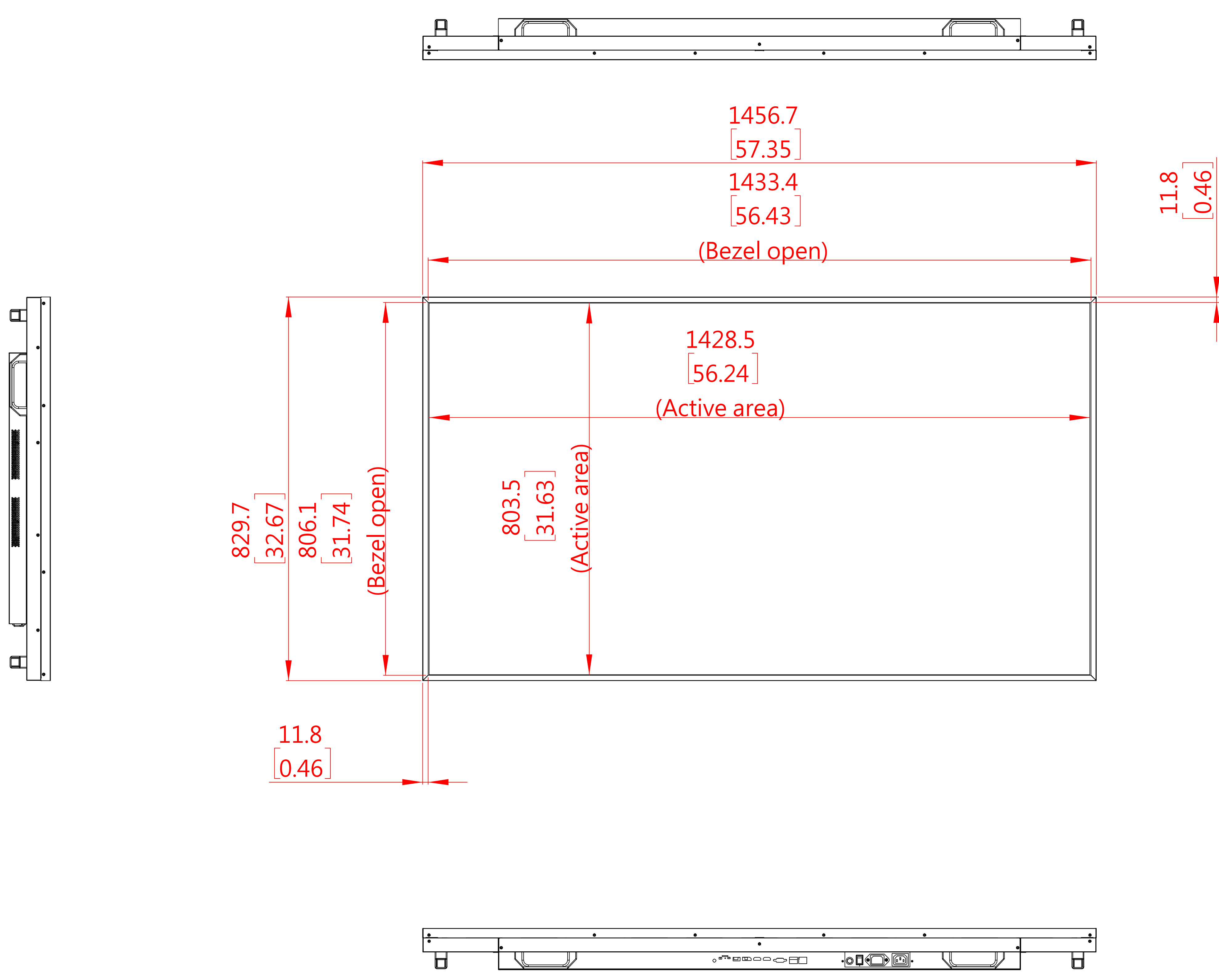


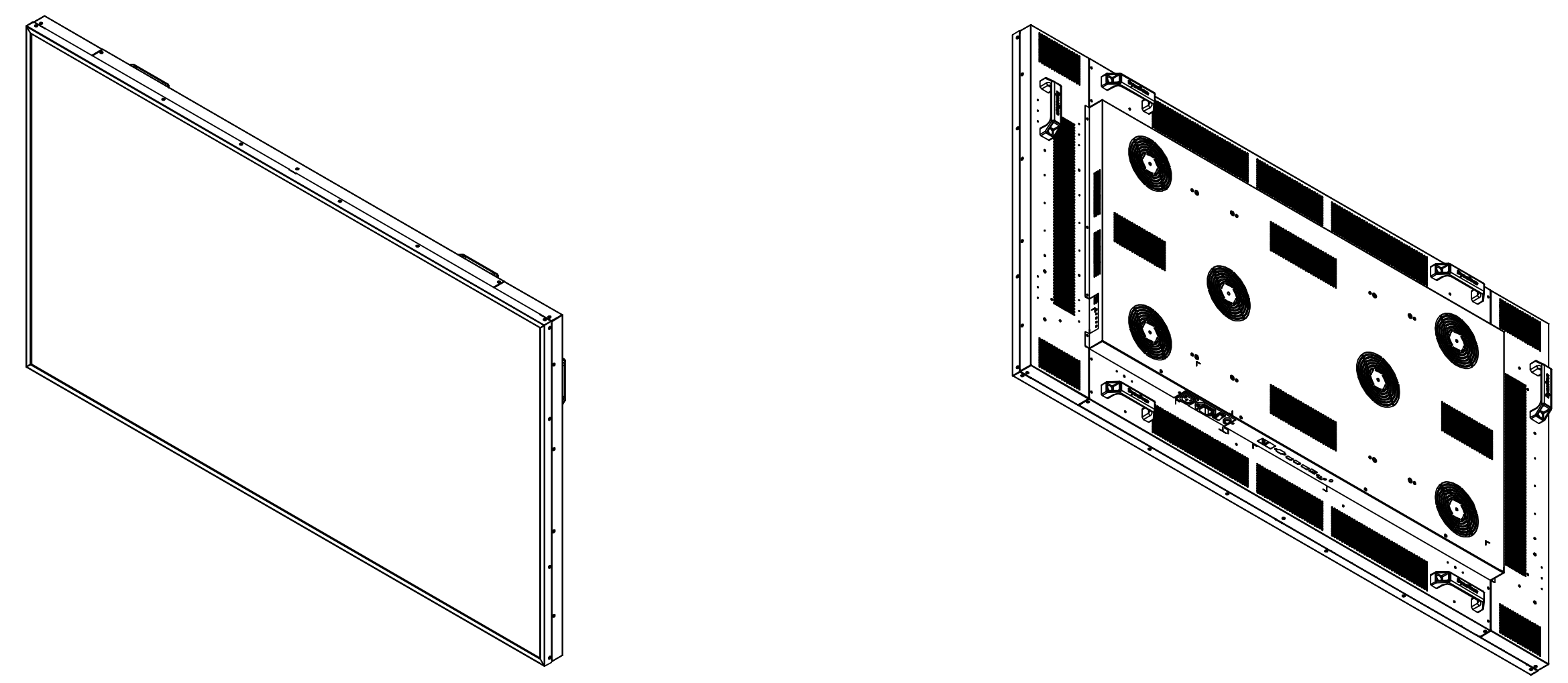
1 2 3 4 5 6 7 8 9 0

A B C D E F G H

A B C D E F G H



細部放大圖 A



Unit	UNLESS OTHERWISE SHOWN TOLERANCES	MODEL NAME
mm/in	.X ± 1.5/0.05 X ± 2.0	DS653LT5-J1.0
DynaScan Technology Corp.		DATE
		2021.06.13