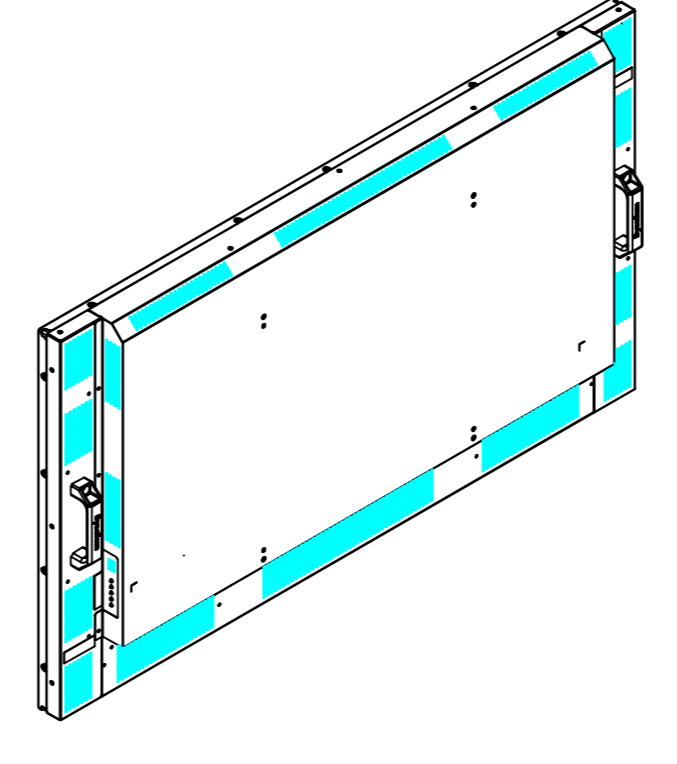
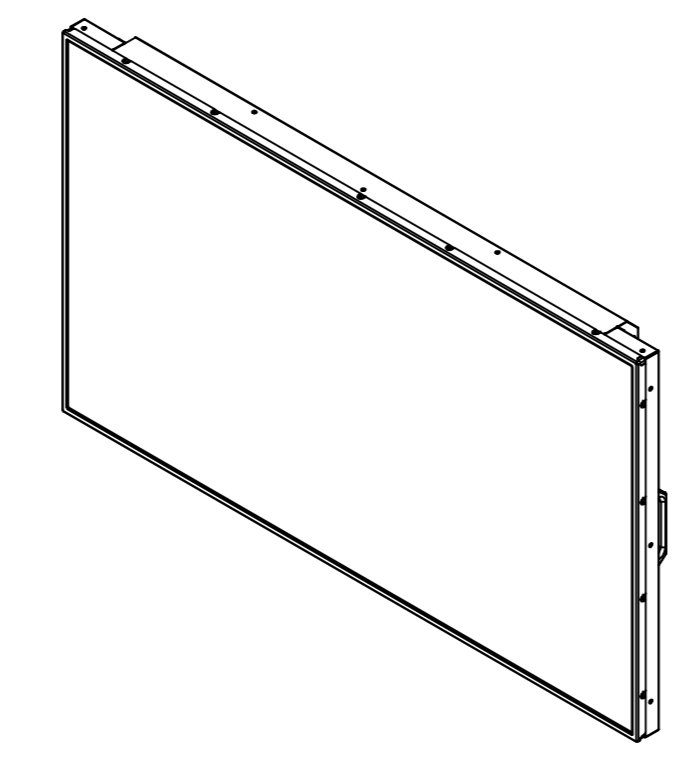
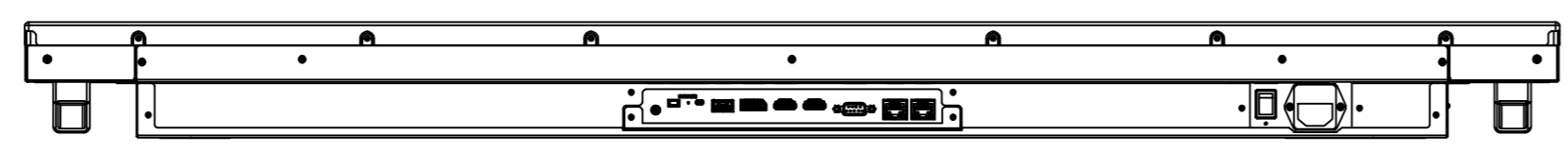
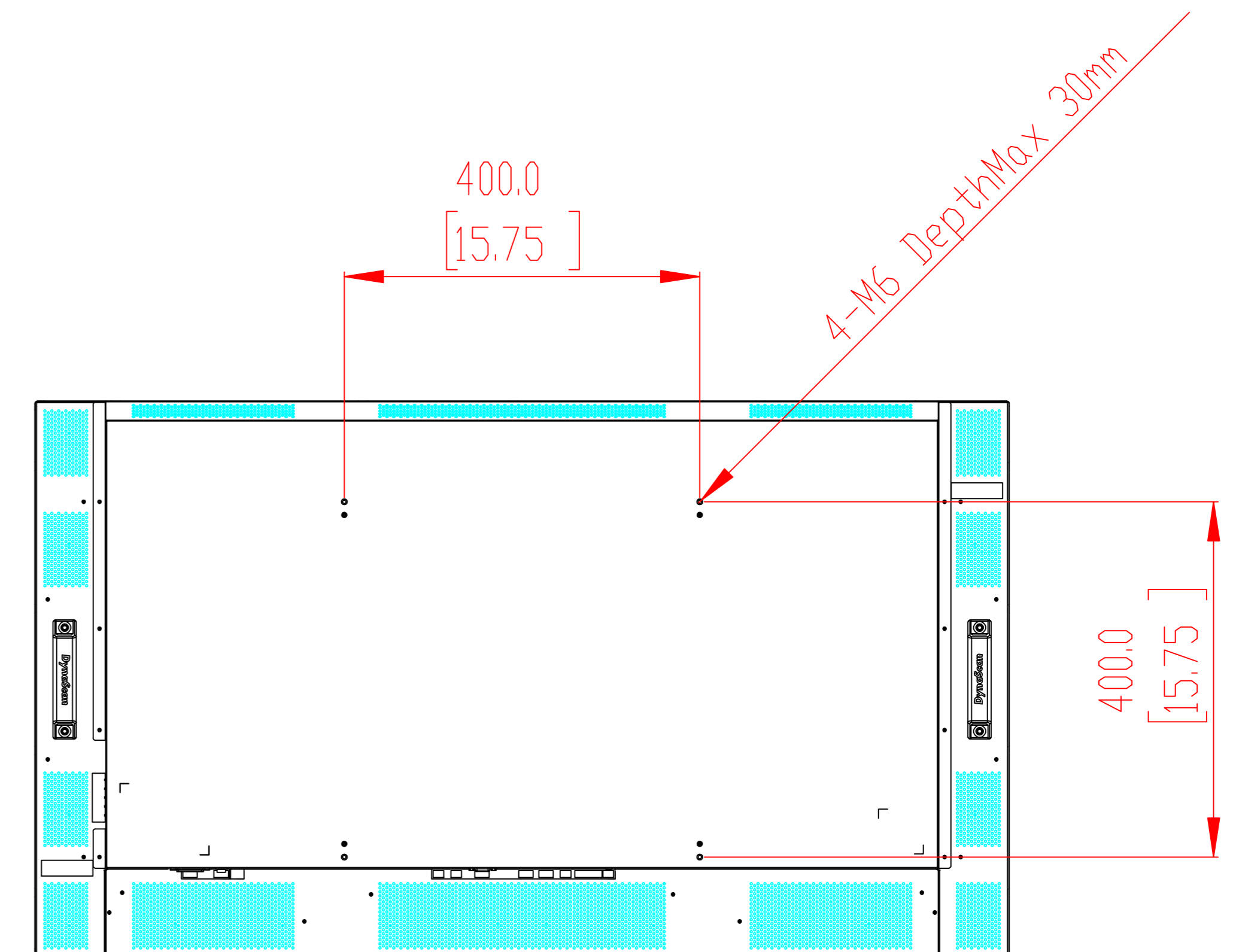
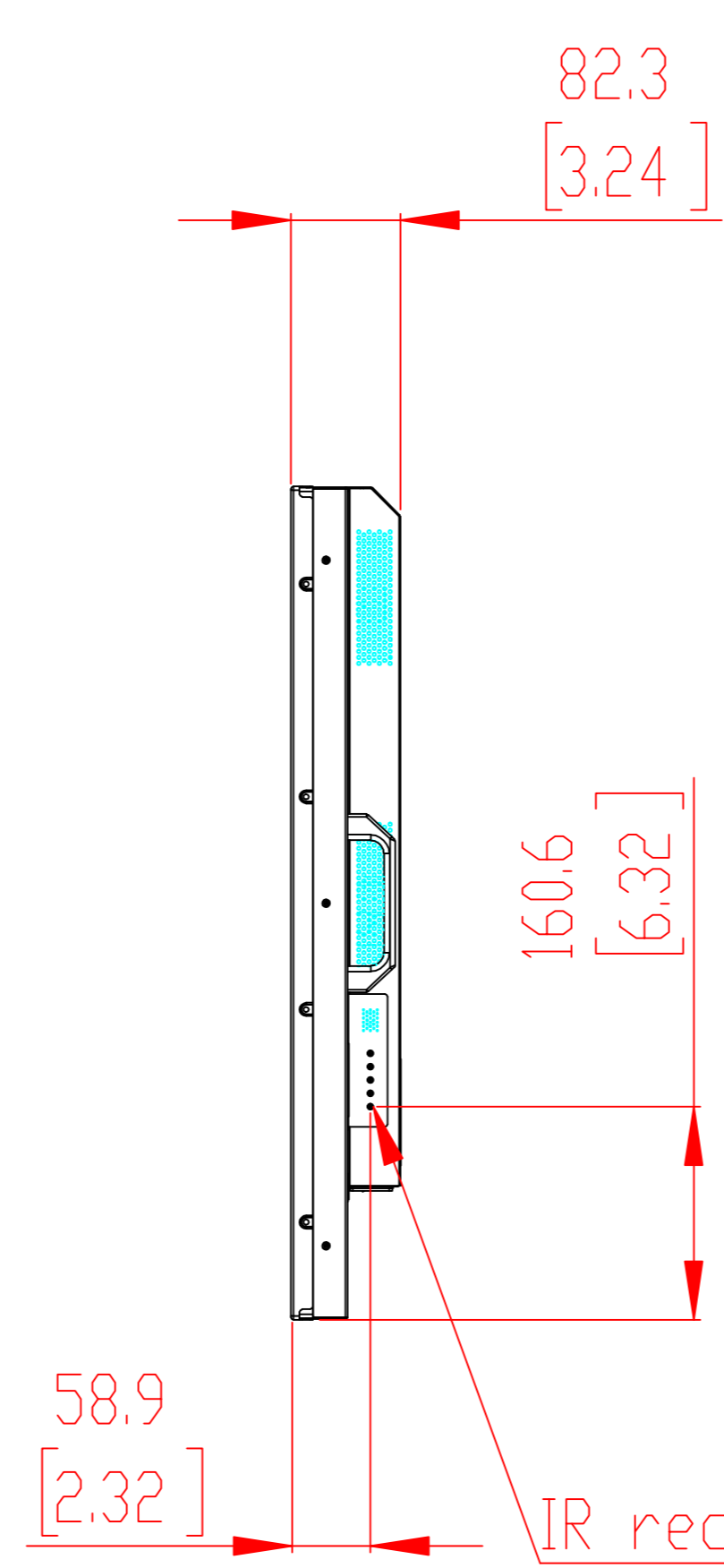
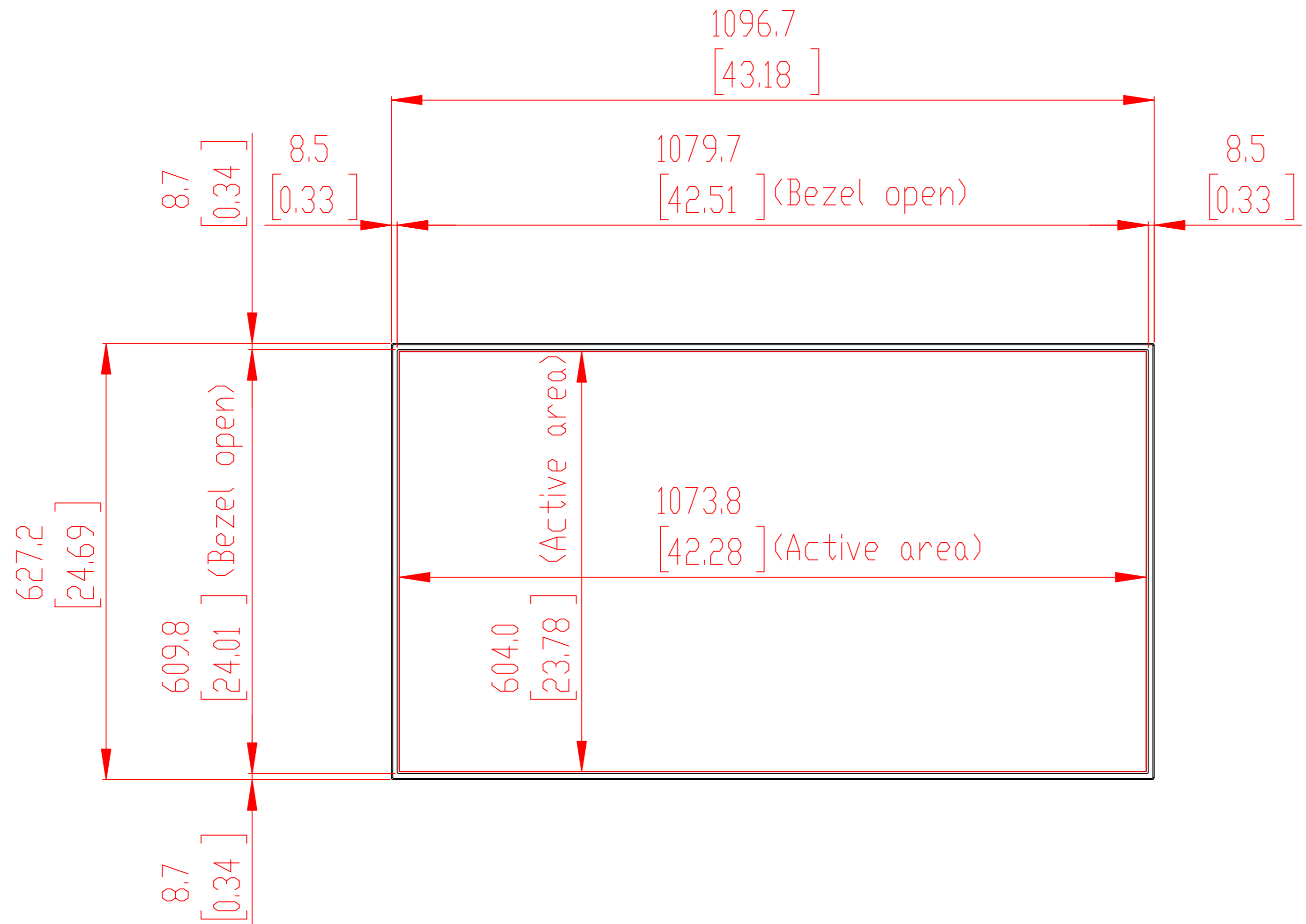
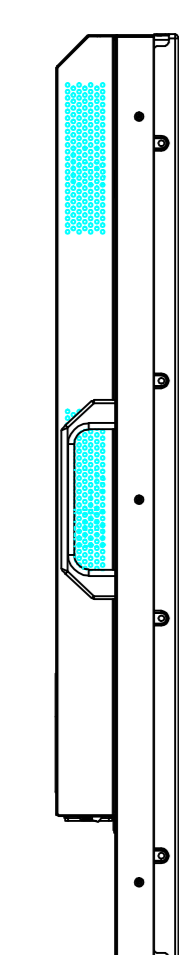
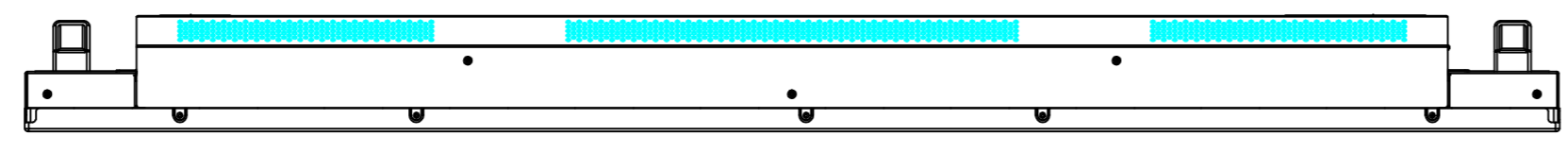


1 2 3 4 5 6 7 8 9 0

A B C D E F G H

A B C D E F G H



Unit	UNLESS OTHERWISE SHOWN TOLERANCES	MODEL NAME	
mm/in	.X ± 1.5/0.05 X. ± 2.0	DS491LT5_J1.0	
DynaScan Technology Corp.			DATE
			2022.01.17