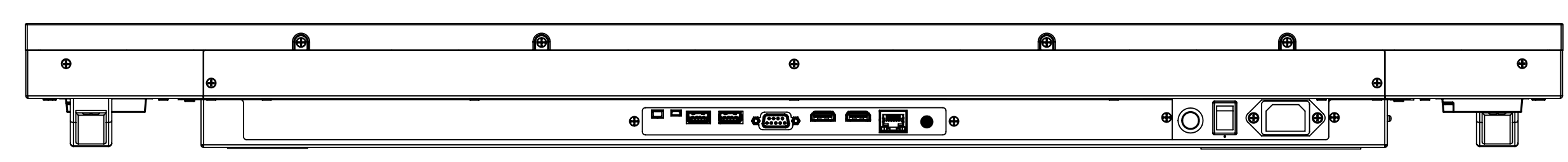
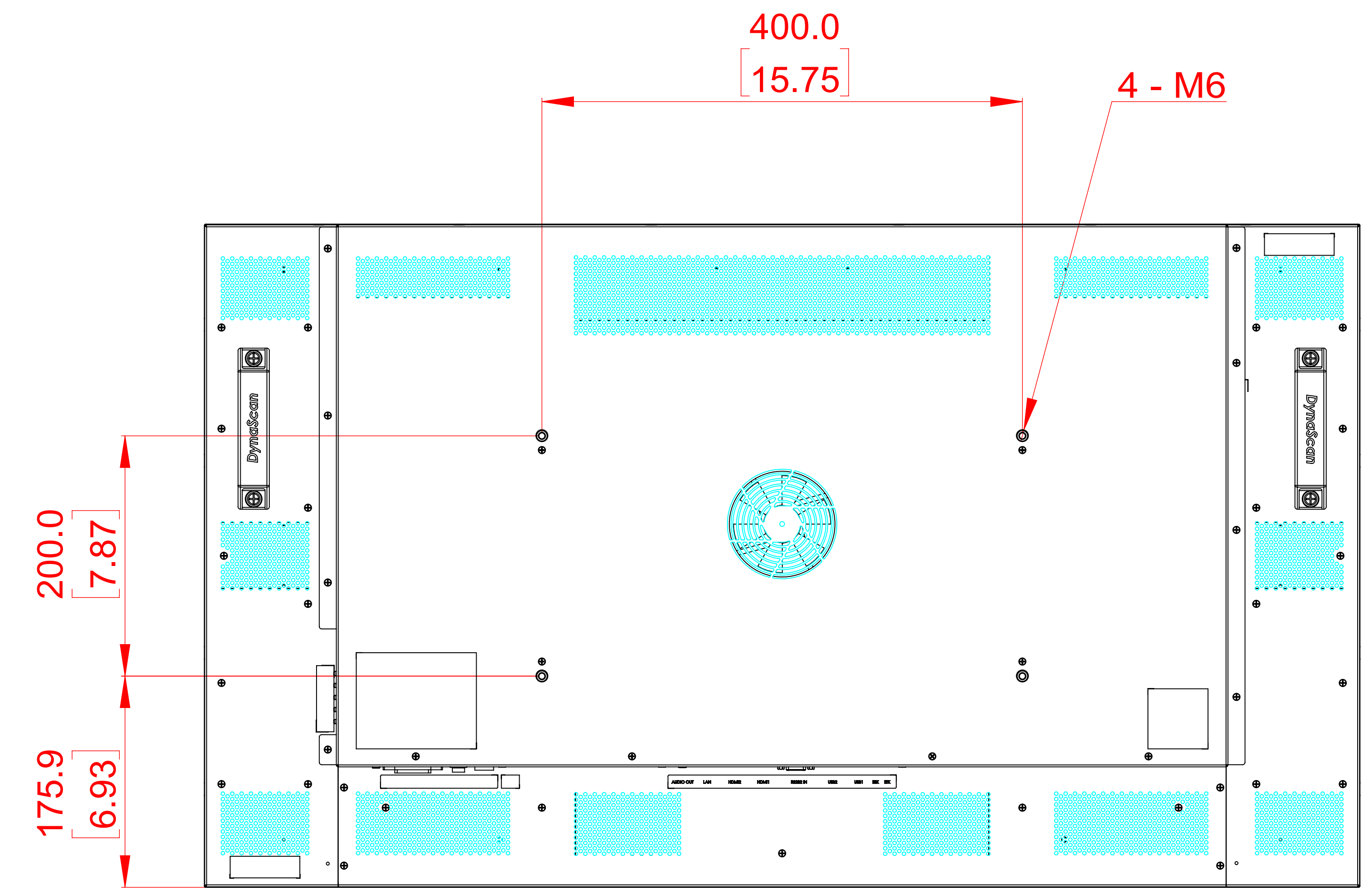
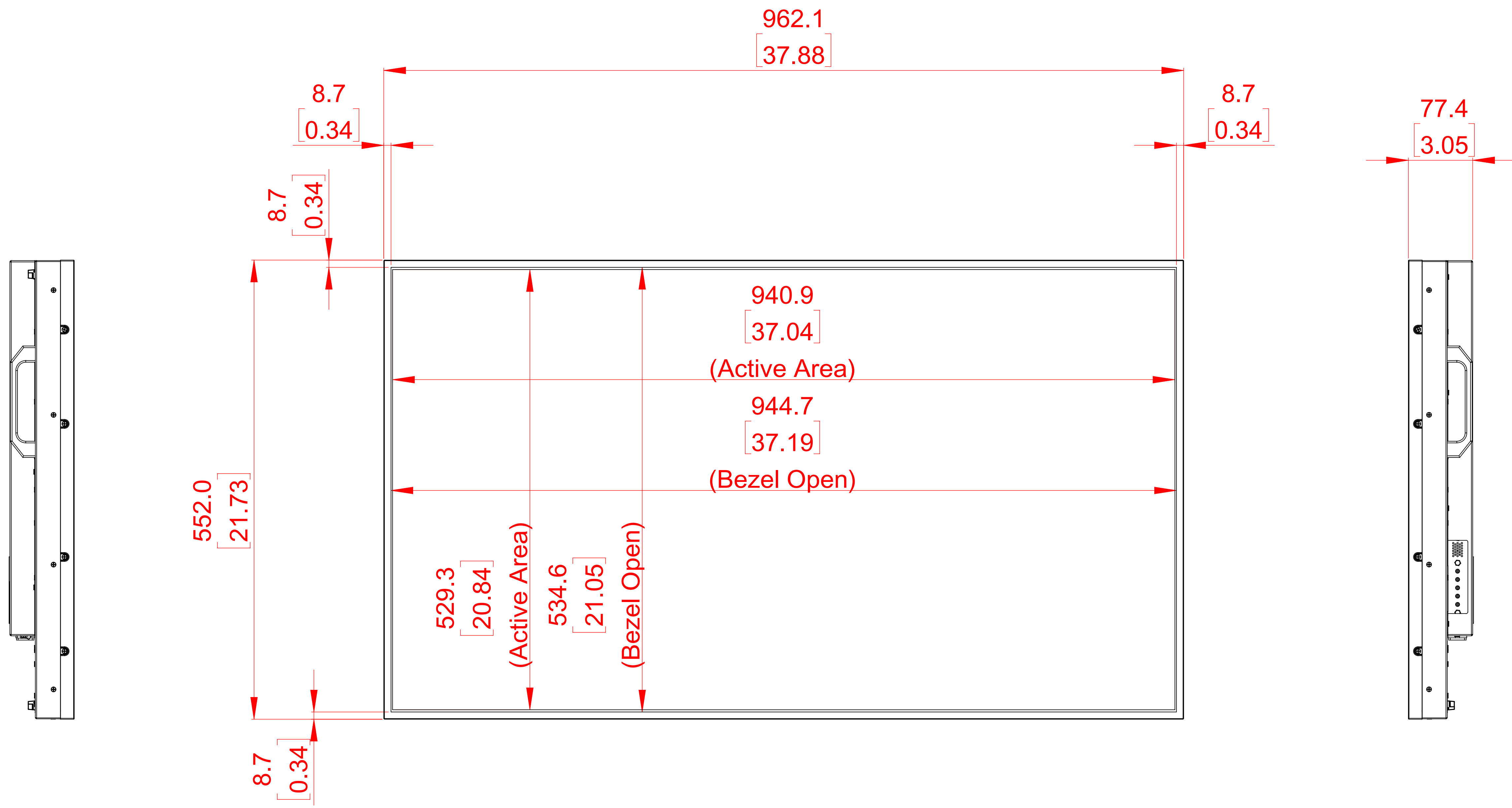
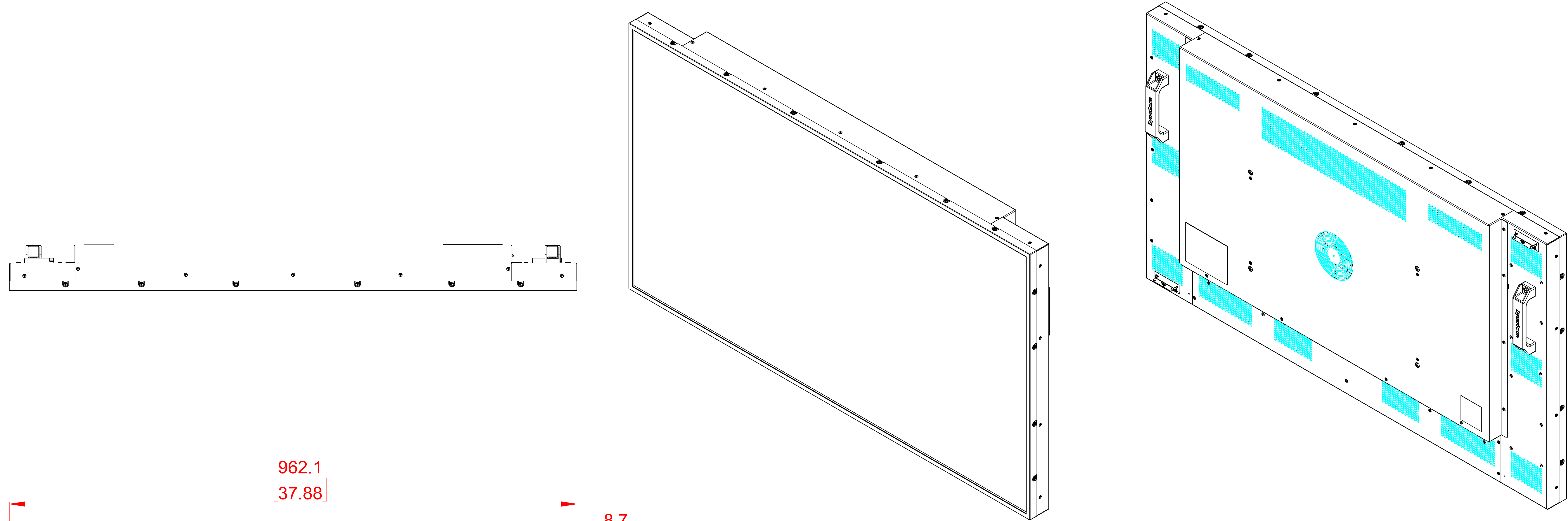


1 2 3 4 5 6 7 8 9 0

A
B
C
D
E
F
G
H

A
B
C
D
E
F
G
H



Unit	UNLESS OTHERWISE SHOWN TOLERANCES	MODEL NAME	
mm/in	.X ± 1.5/0.05 X ± 2.0	DS431LT4_J1.0	
DynaScan Technology Corp.			DATE
			2022.04.14